

- Desktop solder smoke absorber that can be mounted horizontally or vertically
- A third mounting position is also available with an optional arm stand

Specifications

Model No.	FA400
Power consumption	50Hz : 15W 60Hz : 13W
Noise level	50Hz : 48dB 60Hz : 51dB
Maximum suction capacity	Vertically : 1.0m ³ /min. (50Hz) / 1.1m ³ /min. (60Hz) Horizontally : 0.4m ³ /min. (50Hz) / 0.5m ³ /min. (60Hz)
Air velocity	Vertically : 1.0m/s (50Hz) / 1.1m/s (60Hz) Horizontally : 2.6m/s (50Hz) / 2.9m/s (60Hz)
Dimensions	166(W)×212(H)×113(D)mm
Weight	0.93kg
Filter size	130(W) ×130(H) ×10(D)mm

* Noise level is measured at a distance of 1m from the face of HAKKO 420.

* Maximum suction capacity is measured in the condition with filter.

Packing List

Part No.	Packing List
FA-400	HAKKO FA-400 Smoke absorber, Filter and Instruction manual

Features

Horizontally/vertically mountable "2-Way Plus" tabletop smoke absorber

In addition to horizontal and vertical mounting, an optional arm stand allows a third mounting style.

- When vertically mounted:



- When horizontally mounted:



Can be absorbed widespread smoke. Powerful absorption at closer area with high flow rate.

Because of low height, it gives less shade keeping your working area light.

* Because the absorption flow rate is fast, the table will not be contaminated.

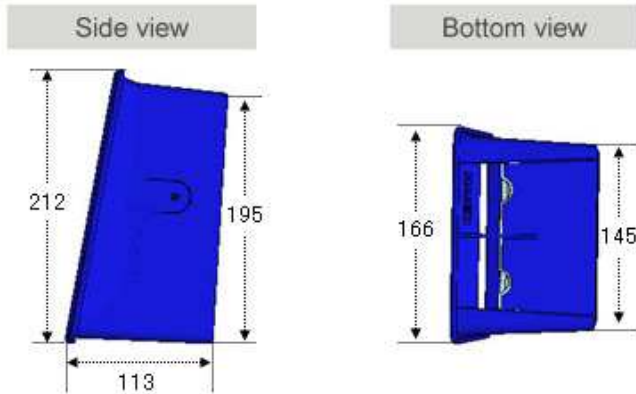
- When using a stand:



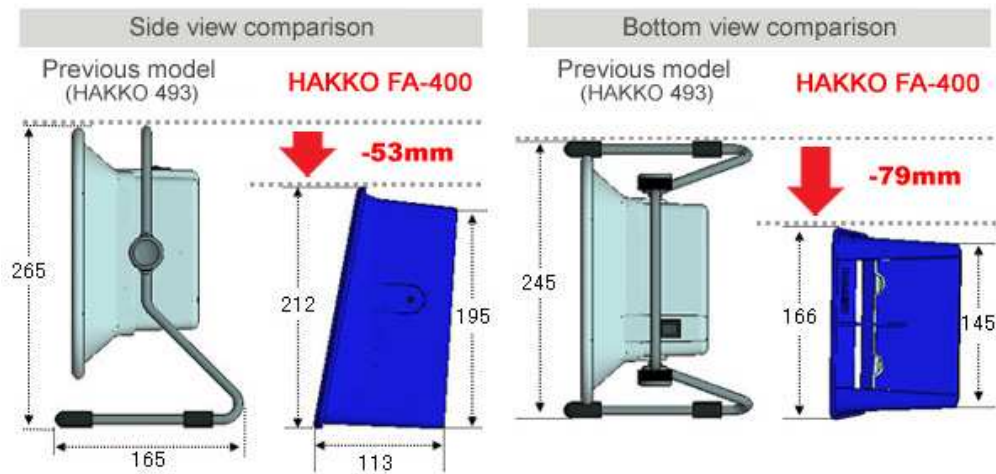
When sufficient space cannot be found or to absorb smoke from upper areas:

Significantly-reduced footprint

- The footprint was reduced by approx. 50% when mounted vertically and by 20% when mounted horizontally compared to our previous model, the HAKKO 493. The height was also reduced by approx. 20%. (Units: mm)



Size comparison to previous model (HAKKO 493)




Maintenance

- The absorption force at the filter decreases gradually over time as the absorber is used. When the filter surface becomes completely white, the filter should be replaced.

Be careful that moisture, etc does not get on the filter.

Replacement Parts

Part No. Name Specifications

	<p>A1001 Filter set set of 5</p>
---	----------------------------------

Part No. Name Specifications



C1568 Arm stand w/ knobs



B1166 Knob ESD, set of 2

Arm stand

